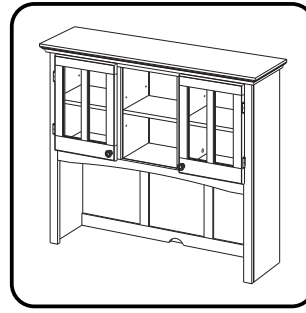


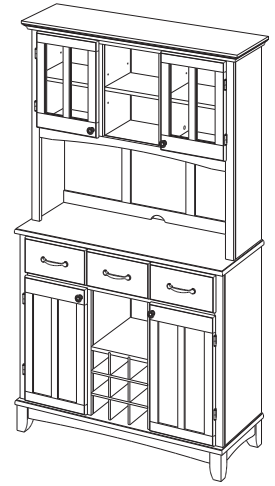
homestyles®

5100-304

Hutch



Hutch



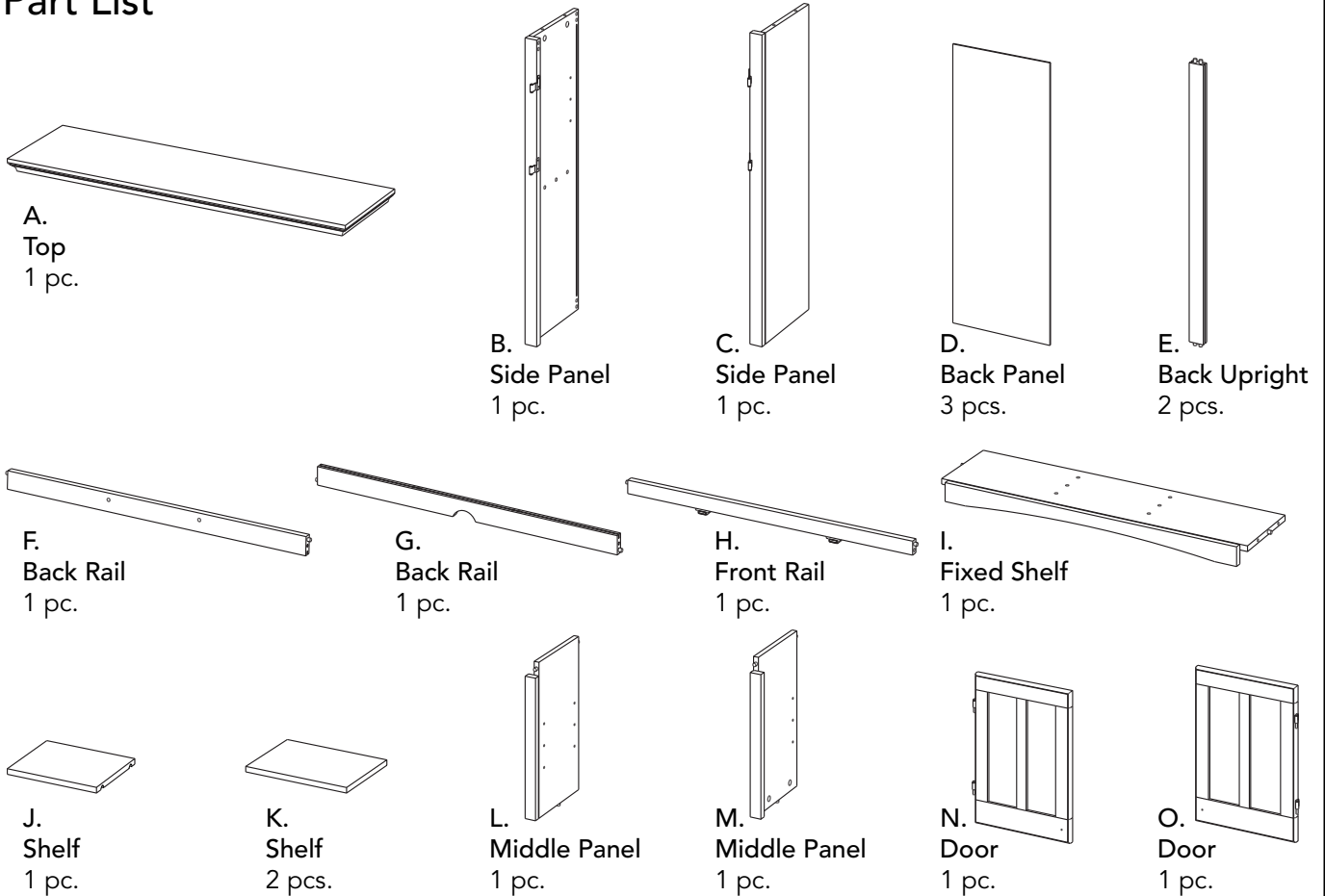
IMPORTANT

Carefully remove all the parts from the carton and place them individually on a soft cloth to prevent scratches or other damage.


Carefully and strictly follow these assembly instructions to ensure a completed product as designed.


Do not use power tools above 8 volts to assemble.

Part List

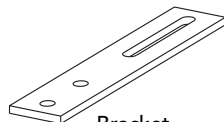



Hardware List



Cam Lock Screw
18 pcs. (+1 extra)



M3.5x16
Wood Screw for Back Panel
12 pcs. (+1 extra)



Knob
2 pcs.


Bracket
2 pcs.


Cam Lock
18 pcs. (+2 extra)


Adjustable Pin
12 pcs. (+1 extra)


M4x25
Machine Screw
2 pcs.


M4x13
Wood Screw for Bracket
8 pcs. (+1 extra)

Tool(s) required for assembly: Phillips screwdriver, Level, Drill (8 volts or less), 3/8" Drill Bit

homestyles Customer Service: www.homestylesfurniture.com,
servicedesk@homestylesfurniture.com, 888-680-7460

Assembly Instructions 2/6

IMPORTANT

- Use a soft cloth between these parts and the floor.
- Do not use power tools above 8 volts to assemble.
- Do not tighten all the screws until each part is properly assembled.

STEP 1

Insert Cam Lock Screws into pre-drilled holes in Top (A), Side Panels (B), (C) and Fixed Shelf (I), then tighten. (See Figure 1)

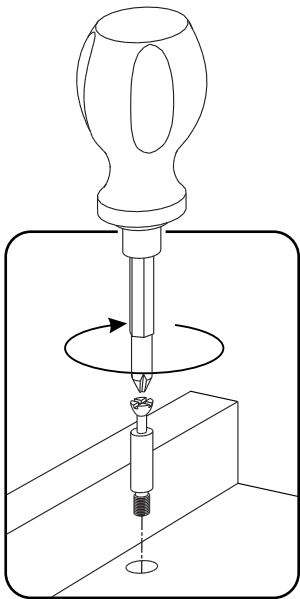


Figure 1

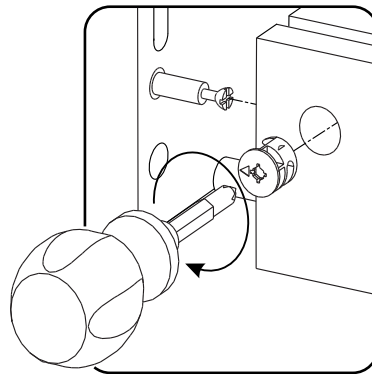
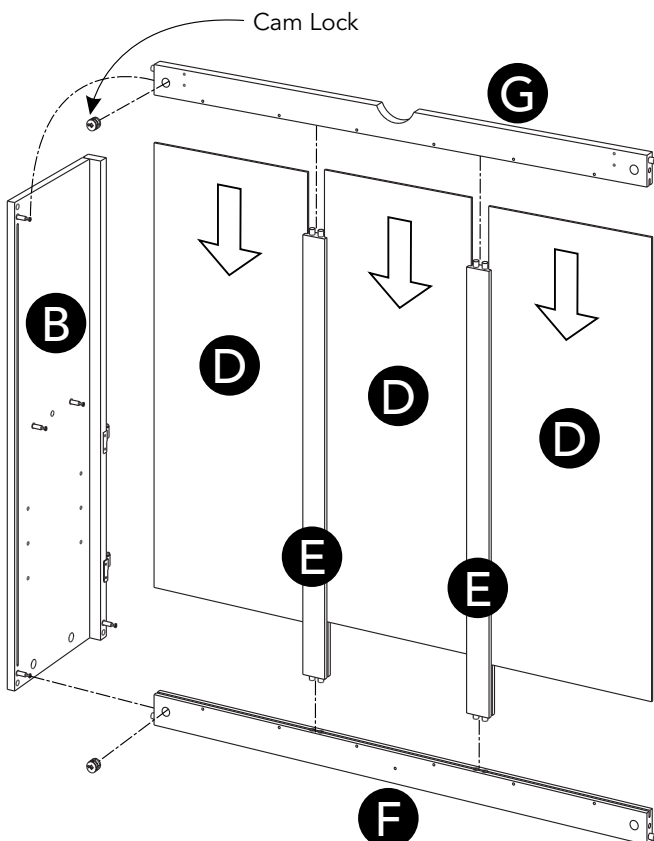
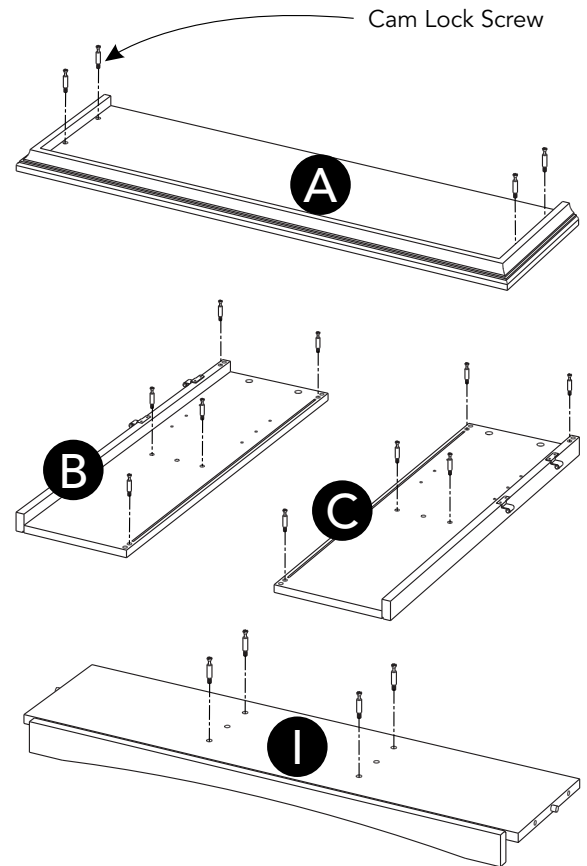


Figure 2



STEP 2

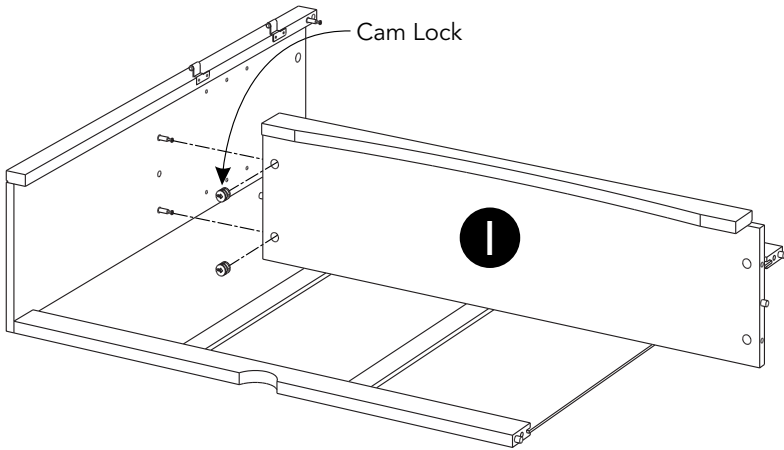
Attach Back Rail (F) to Side Panel (B) with Cam Lock. (See Figure 2)

Attach Back Uprights (E) to Back Rail (F).

Slide Back Panels (D) into position.

Attach Back Rail (G) to unit with Cam Lock.

Assembly Instructions 3/6



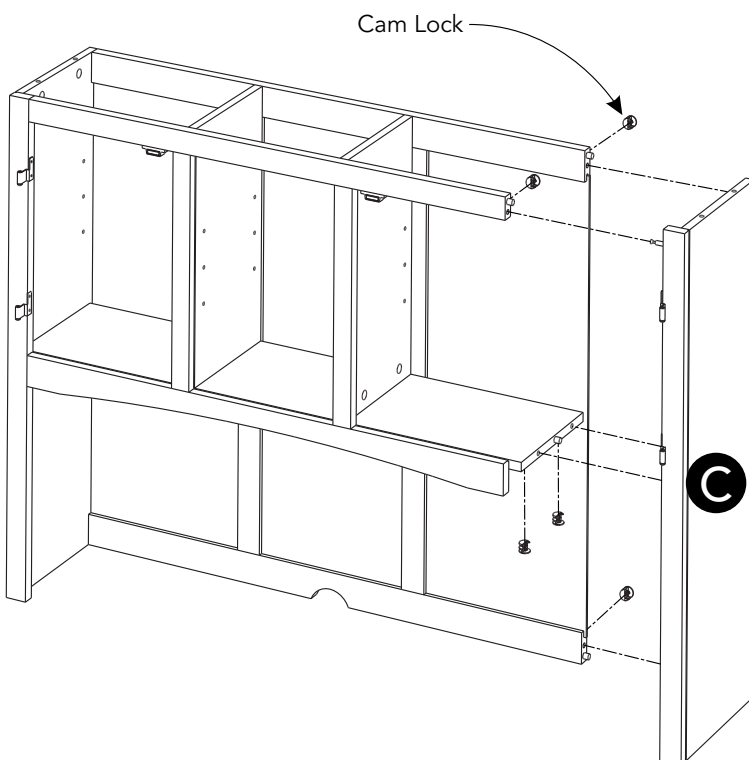
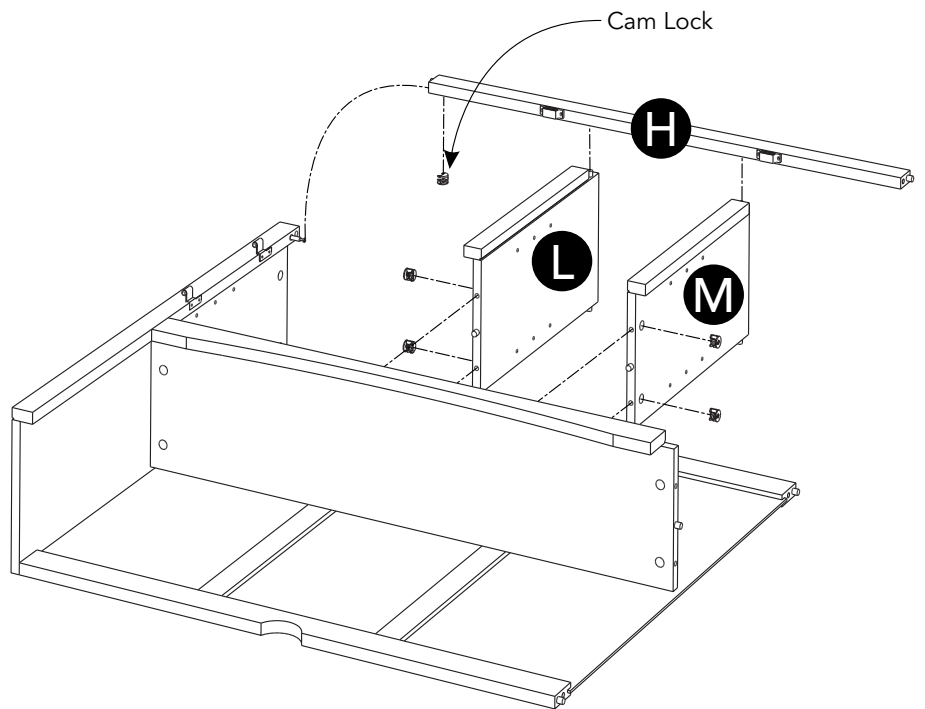
STEP 3

Attach Fixed Shelf (I) to unit with Cam Locks.

STEP 4

Attach Middle Panels (L) and (M) to unit with Cam Locks.

Attach Front Rail (H) to unit with Cam Lock.



STEP 5

Attach Side Panel (C) to unit with Cam Locks.

Assembly Instructions 4/6

STEP 6

Insert Adjustable Pins into side panels and middle panels at desired level.

Place Shelves (J) and (K) into position.

Attach Doors (N) and (O) to unit by sliding door hinges into side panel hinges. (See Figure 3)

Attach Knobs to Doors (N) and (O) with Machine Screws. (See Figure 4)

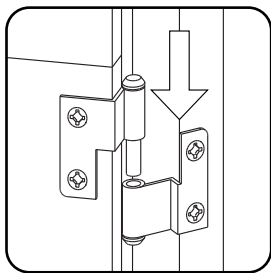
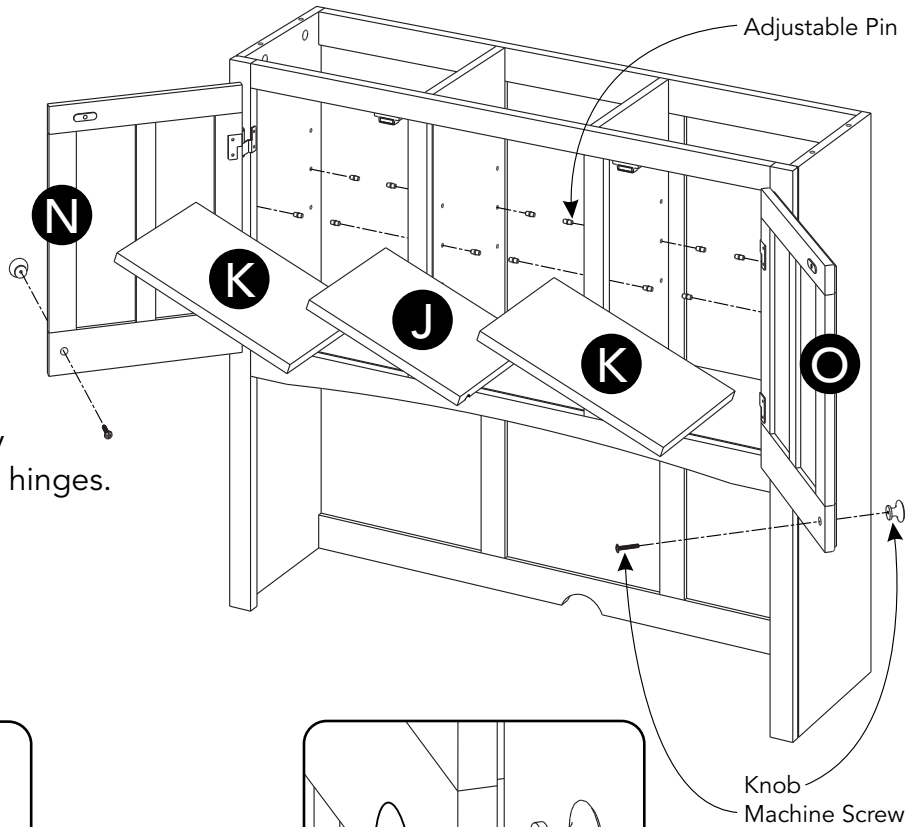


Figure 3

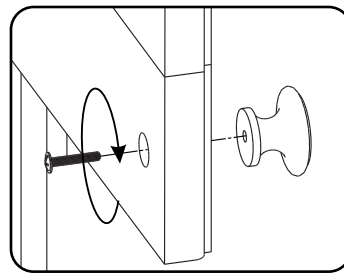
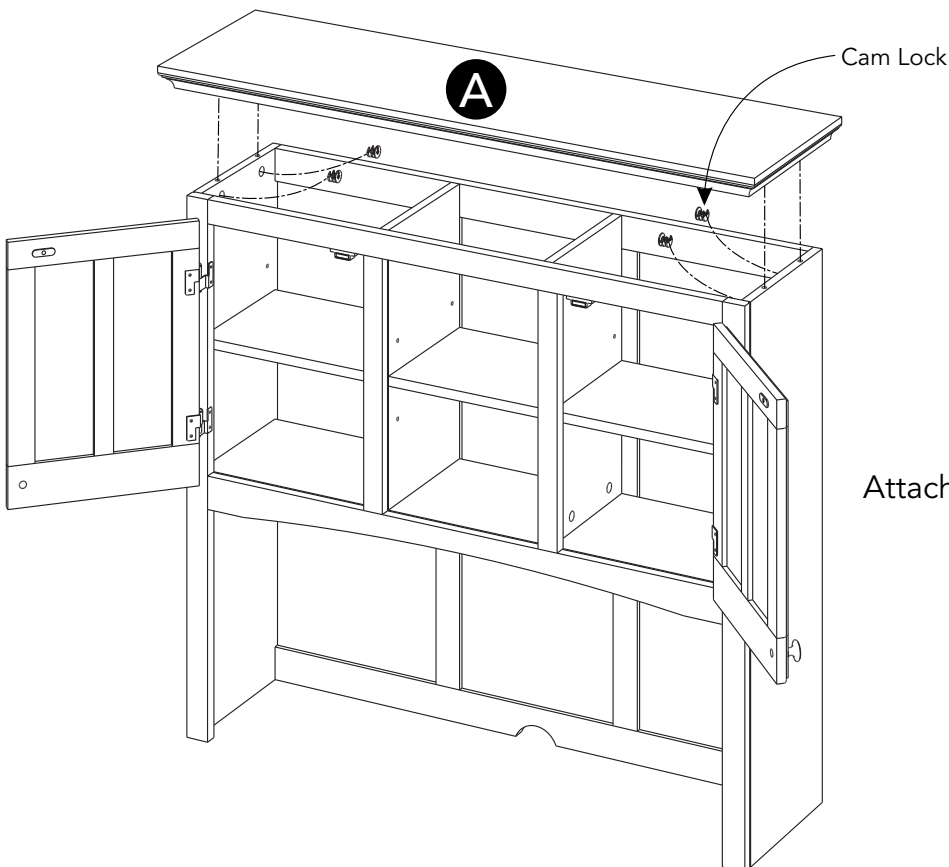


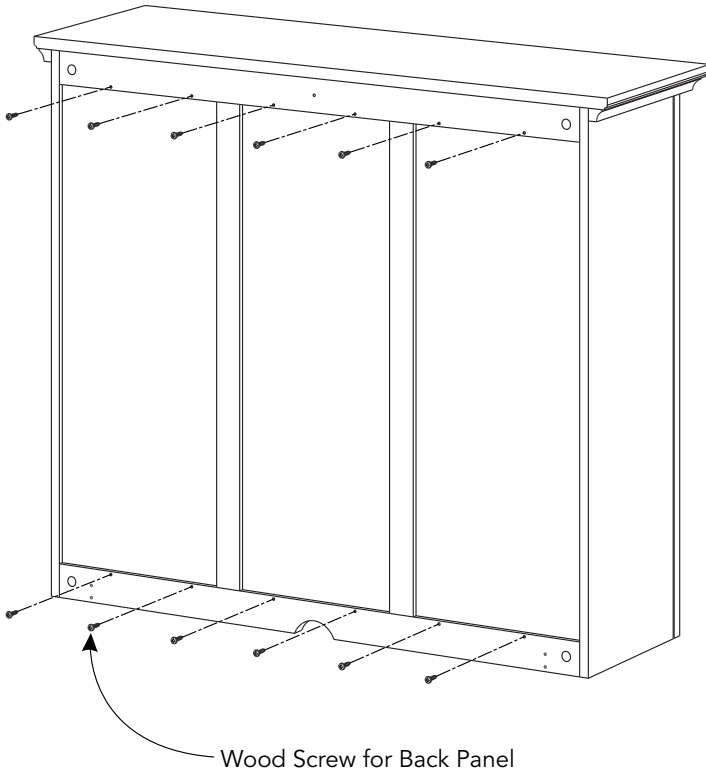
Figure 4



STEP 7

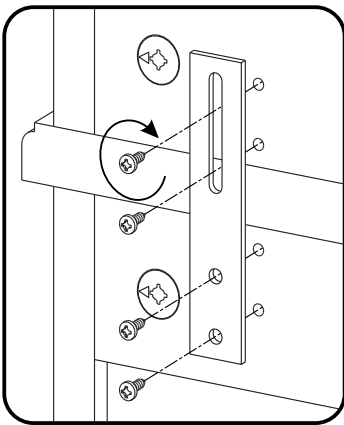
Attach Top (A) to unit with Cam Locks.

Assembly Instructions 5/6



STEP 8

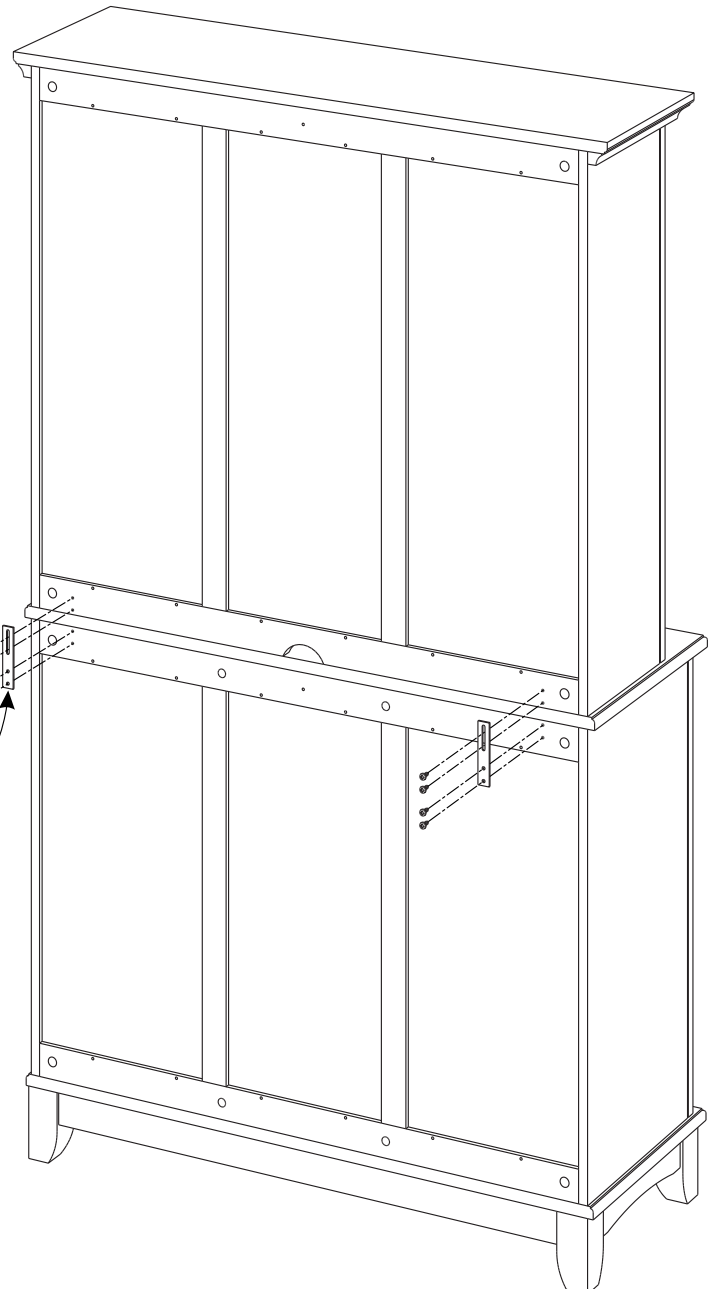
Insert Wood Screws for Back Panel into pre-drilled holes in unit.



Wood Screw for Bracket
Bracket

STEP 9

Attach Hutch to Buffet with Brackets by inserting Wood Screws for Bracket into pre-drilled holes, then tighten.
(See Figure 5)



Assembly Instructions 6/6

IMPORTANT

- To help reduce the risk of the unit tipping over, the Tipover Restraint must be installed following these instructions exactly.

STEP 10

Place unit at desired location.

Drill a 3/8" hole in wall in-line with Pre-drilled hole at top of unit.

Move unit.

Insert Anchor into the wall hole and attach Bracket with Wall Screw.

Attach Bracket at pre-drilled hole at top of unit with Wood Screw.

Move unit back into place.

Slide Tipover Restraint through Bracket on wall and Bracket on unit.
(See Figure 6)

Put tie end of Tipover Restraint into lock end of Tipover Restraint and pull until tight.

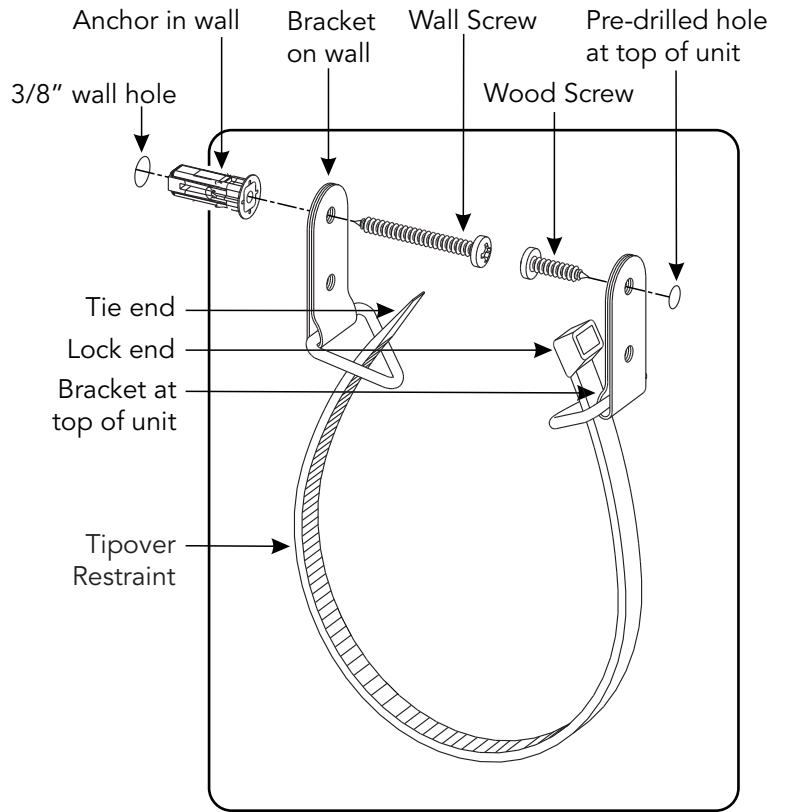
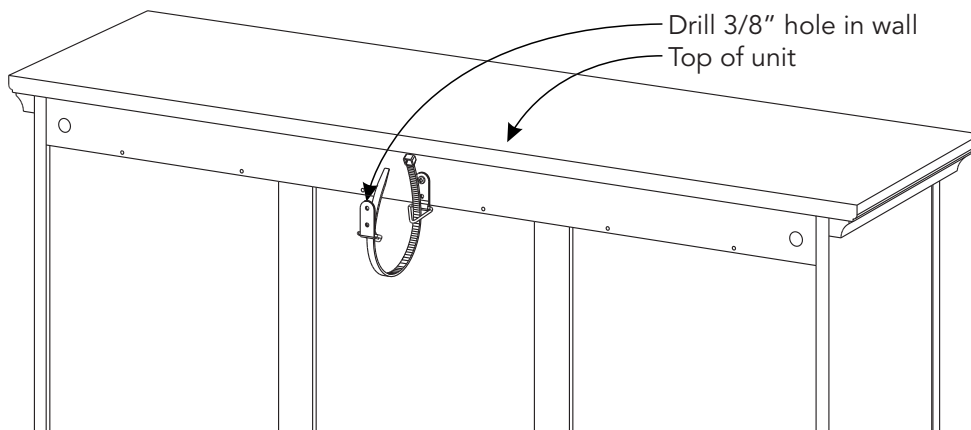


Figure 6



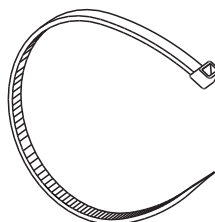
Hardware List



Anchor
1 pc. (+1 extra)



Bracket
2 pcs. (+1 extra)



Tipover Restraint
1 pc. (+1 extra)



M3.5x40
Wall Screw
1 pc. (+1 extra)



M3.5x16
Wood Screw
1 pc. (+1 extra)

CARE INSTRUCTIONS

NEVER

allow liquids to remain on furniture.
Absorption causes parts to warp
and split and finishes to delaminate.

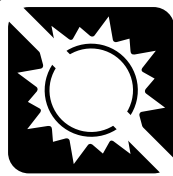
NEVER

use glass cleaners on
finished furniture. Ammonia
chemically attacks the finish.



Do not use power tools
above 8 volts to assemble.

**PREVENT
CRACKING**



Do not place
in direct sunlight.

**PREVENT
FADING**



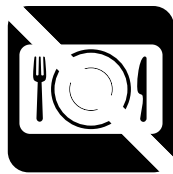
Do not write
directly on surface.

**PREVENT
MARKING**



Do not place hot
objects on surface.

**PREVENT
FINISH DAMAGE**



Do not use rubber
based placemats.

**PREVENT
DISCOLORING**



Do not use commercial
waxes and polishes.

**PREVENT
YELLOWING**

CLEAN

with a soft cloth moistened
in lukewarm soap and water.
Buff with a dry clean cloth.



homestyles will provide replacements free of charge for missing or damaged parts within 30 days of purchase. Digital images of the defective parts may be required. If the product was not purchased from an authorized retailer, **homestyles** is under no obligation to provide replacement parts. Parts are not available for fully assembled items nor are parts available for sale. Replacements for missing or damaged parts may be requested via contact info below.

homestyles Customer Service: www.homestylesfurniture.com,
servicedesk@homestylesfurniture.com, 888-680-7460